



# EAS Solutions • Lowest Cost

## Features

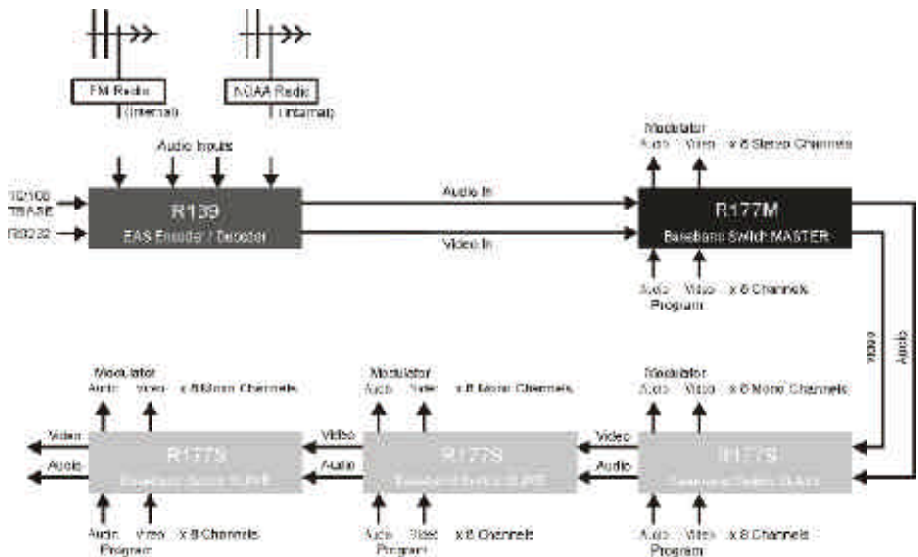
- New- Designed for the small cable operator
- Monroe Quality Baseband Switches
- Economical
- Flexible Configuration
- Meets FCC Requirements
- Rear of Rack Mounted Switches Ease Unit Access and Wiring
- IP Based Encoder/Decoder with Decoder only option
- Up to 3 Internal Radios
- Built in Character Generator
- Digital Solutions including SCTE 18 (DVS-644) and DVS-168



## “The Complete Baseband Switching System”

Monroe Electronics developed this new, low cost baseband switching EAS system specifically for the small cable operator. This complete full screen replacement EAS system meets the FCC EAS requirements.

The complete system contains the IP based Monroe One-Net Encoder/Decoder, supports all analog and digital EAS requirements, including SCTE 18. It responds to the National Weather Service’s digital SAME protocol as well as the mandated EAS digital format. This IP based device can support up to 3 internal AM/FM/NOAA radios. The built in character generator creates a videotext of the EAS message as well as passing the EAS data bursts, alert tones and the EAS message audio to the Monroe baseband switches. The baseband Switch Master unit has balanced stereo audio inputs with a video/audio loop through, while the slave units are monaural with loop through. Simply adding or deleting baseband slave units can easily adjust the system size. A real advantage when expanding the number of analog channels or reducing them to recover bandwidth for digital services. Each Monroe product comes complete with a two-year warranty.



800-821-6001  
 585-765-2254 | fax 585-765-9330  
 100 Housel Ave. | Lyndonville | NY | 14098

[www.monroe-electronics.com](http://www.monroe-electronics.com)

